

## ATLANTA ALL PLASTIC SCHOOL TABLET ARMCHAIR & MULTI-PURPOSE CHAIR

**Built in bags & book tray**

**Strong structure**

**Easy to assemble & stackable**

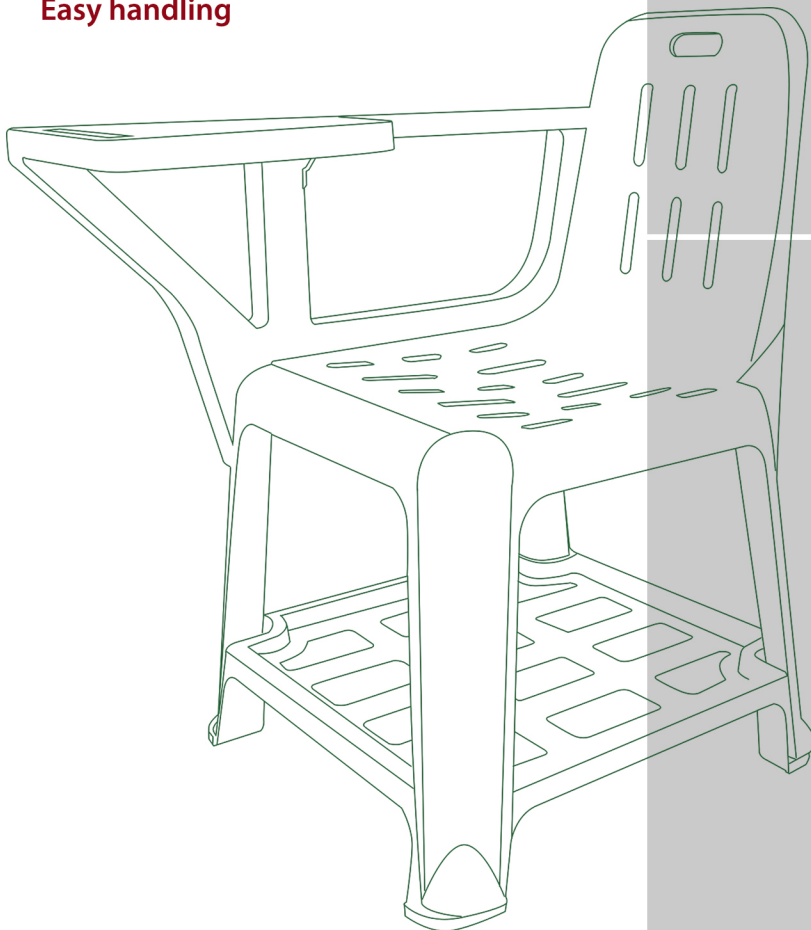
**Comfortable seat design**

**Easy access pencil holder**

**Tiger palm shape footing design**

**Comfortable backrest**

**Easy handling**

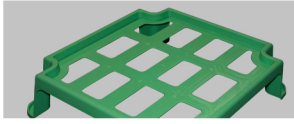


Tablet Armchair



Multi Purpose Chair

## PRODUCT FEATURES



**Built in tray for bags & books**  
The Atlanta all plastic school tablet armchair has a built in schoolbag & book tray and the built in tray can also be used as a leg rest.



**Strong structure**  
The traditional armchair uses 2 components as the tablet while the Atlanta all plastic tablet arm uses only one piece armchair which makes it stronger & stable.



**Easy to assemble & stackable**  
The Atlanta all plastic school tablet armchair has only 3 snap on components and uses 2 bolts and 5 screws. It is also stackable that can also save space & storage area.



**Comfortable seat design**  
The concave angle shape prevents slippage and more comfortable than the flat design.



**Easy access pencil holder**  
The old design has no slot for easy pick up of pen while the Atlanta all plastic tablet armchair has a slot for the fingers for easy access.



**Tiger palm shape footing design**  
The design holds & grip firmly on the ground which prevents sliding. It has an anti slippery rubber stopper.

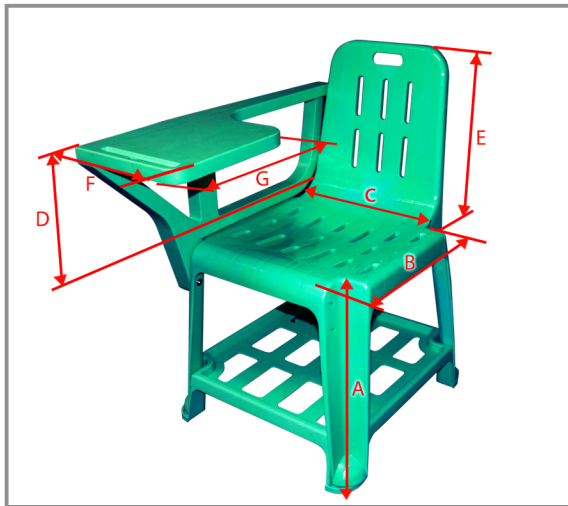


**Comfortable backrest**  
The angle shape is more structurally stronger to support back rest weight of a person with a heavy body while leaning with comfort.



**Easy handling**  
The Atlanta all plastic tablet armchair has a built in handle slot which makes it easy to carry around.

## PRODUCT SPECIFICATIONS



	PARTS	ATLANTA DIMENSION (mm)	DEPED DIMENSION (mm)
A	Seat Height	420	390 - 420
B	Seat Depth	390	390 (minimum)
C	Seat Width	400	400 (minimum)
D	Writing Board Height	640	630 - 650
E	Backrest Height	700	700 (minimum)
F	Writing Board Width	250	250 (minimum)
G	Writing Board Depth	245	245 (minimum)

## AREA OF APPLICATION

Department of Education School Buildings  
Private school for elementary and secondary  
University & College use  
Assembly or Gathering functions  
Seminar or Meeting room  
Office & Home use

## ASSEMBLY GUIDE

